

# ECO FLUID TRANSFORMER BUSHING

Up to 245 kV / 1250 A

Eco Fluid Transformer Bushings provide an **eco-friendly and reliable connection** of HV power to the transformer with increased safety and extended lifetime based on the proven Trench design.



← SCAN ME OR  
CLICK HERE



# ECO FLUID TRANSFORMER BUSHING

## CHARACTERISTICS

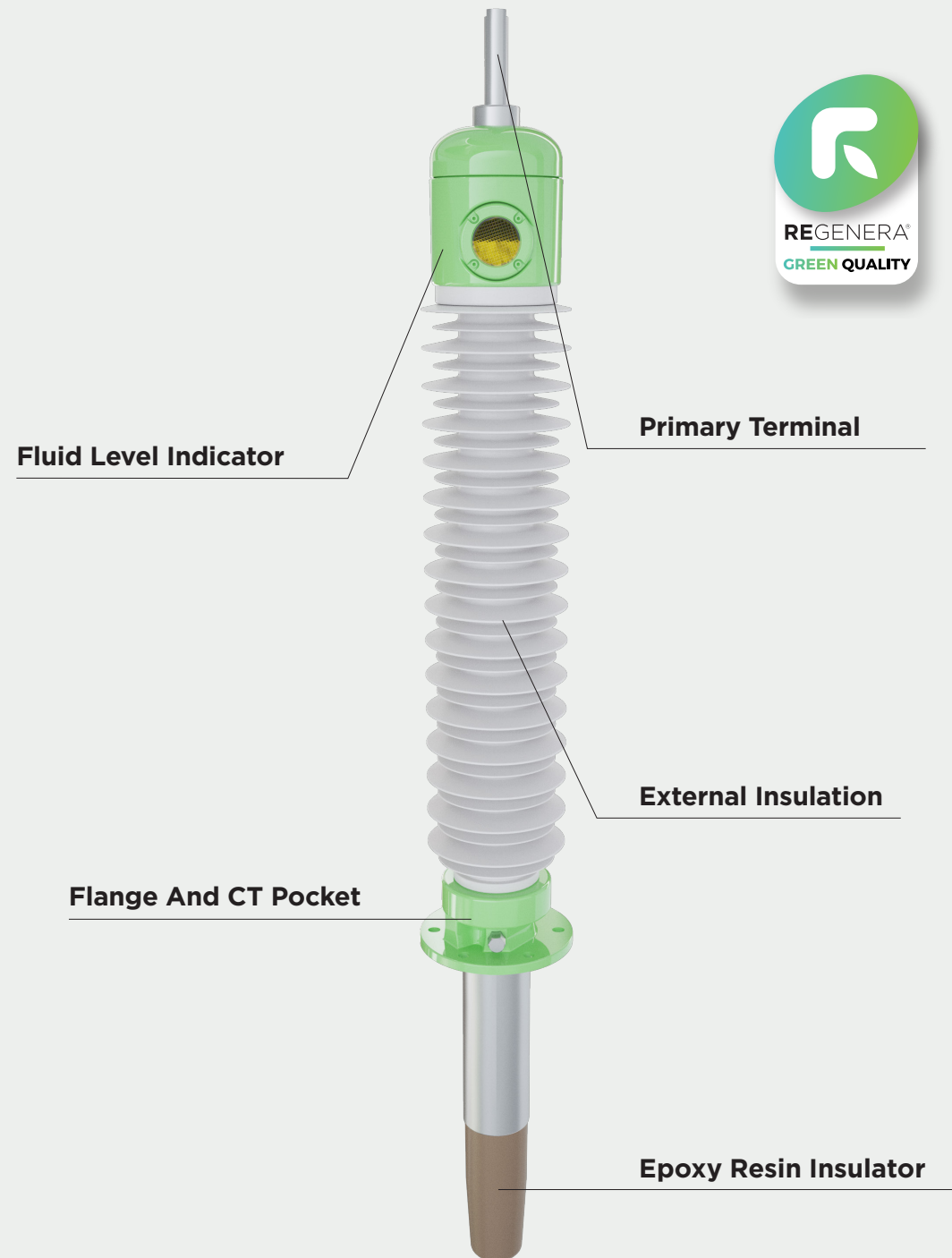
- Eco Fluid Transformer Bushing condenser type
- Meet all IEC or IEEE standards, fully type tested and approved
- Applicable for voltage levels up to 245 kV
- Rated current up to 1250 A (higher value on request)

## APPLICATIONS AREAS

- Design based on customer's technical specifications
- Bushings are manufactured with premium Kraft paper
- Prepared to cope with all environmental conditions

## SUSTAINABILITY

REGENERA® is Trench Group's **Green Quality Label**, awarded to offerings that combine technical excellence with environmental responsibility.



# MAIN FEATURES

Eco Fluid Transformer Bushing.

A green essence flowing into our innovative technology



## Seismic Requirements

Selected Eco Fluid Bushings are designed to meet high seismic requirements, i.e. IEEE 693.



## Industry Compliant

Fully type tested to applicable international IEC and IEEE bushing standards.



## Fine-Graded Condenser Cores

All cores are manufactured using premium Kraft paper and thin aluminum foil electrodes. They are finely graded wound in special winding machines under pre-heat and high compression.



## Outdoor Application (Fluid-To-Air)

Options for porcelain or composite insulators with creepage for high or extra high pollution levels.



## Service and EOL

We ensure the safe operation of our products offering testing and refurbishment. As part of our commitment to a sustainable circular economy we provide recycling at EOL.



## PRODUCT APPLICATIONS

# BUSHINGS ARE 100% CUSTOMIZABLE

At Trench we tailor according to your needs, customized solutions designed by our engineering. With more than 200.000 bushings in service around the world and with more 50 years of experience Trench is a global leader in the bushing market.



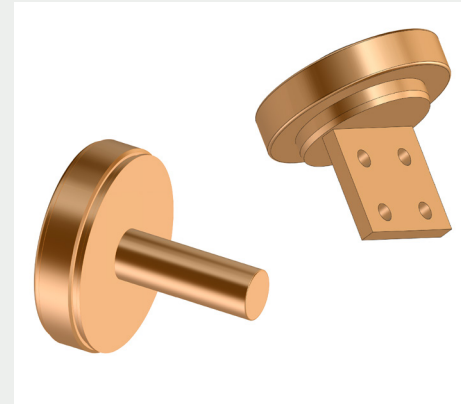
### TOP TERMINAL

The top terminal can be customized according to the customer needs.



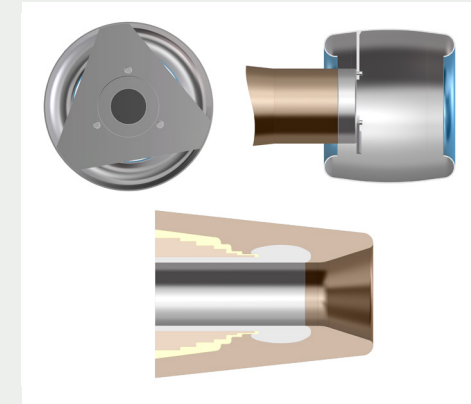
### OIL LEVEL INDICATOR

Options for Optical or Magnetic oil level indicator.



### BOTTOM TERMINAL OPTIONS ACCORDING TO CUSTOMER PREFERENCE

Cylindrical, threaded, spade, half round, flat Ppad, square, hexagonal, octagonal and plate.



### EXTERNAL SHIELD

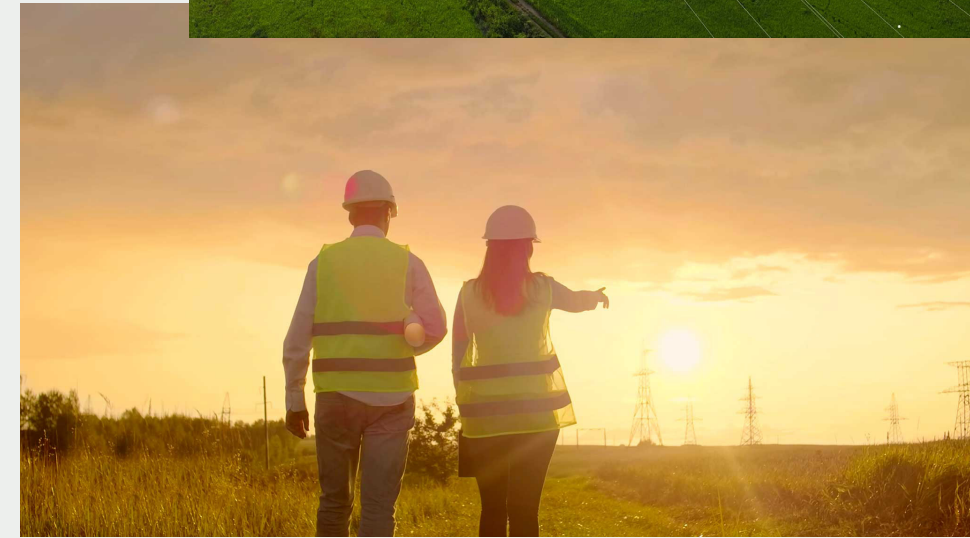
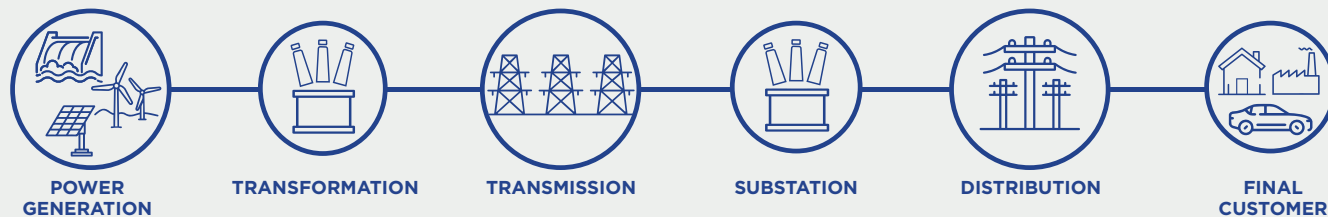
Shield options with Bayonet System, fixed shield, screwed shield or embedded shields.

# THE **FUTURE** OF ENERGY IS **NOW** AND IT'S **EXTRAORDINARY**

## THE CRUCIAL ROLE OF POWER TRANSMISSION

**Our vision** of a sustainable future starts with an eco-friendly portfolio of high voltage products and systems, brought to you by our dedicated team of global innomakers.

**Our mission** is to support our customers, from power generation through transmission and distribution to the electricity consumers, in their transition to clean energy and a greener world.





**Get in touch:**

Contact our experts via email  
[sales@trench-group.com](mailto:sales@trench-group.com)



**Trench Group**  
[www.trench-group.com](http://www.trench-group.com)

©Trench Group 2025. All rights reserved.  
Specifications are subject to change without notice

VISIT OUR WEBSITE

SCAN ME OR  
[CLICK HERE](#)

