

# ECO FLUID CAPACITIVE VOLTAGE TRANSFORMER

550 kV

Capacitive Voltage Transformers utilizing **eco-friendly insulation fluid** provide accurate and reliable voltage transformation, measurement, merging proven safety with eco-friendliness.



← SCAN ME OR  
CLICK HERE



# ECO FLUID CAPACITIVE VOLTAGE TRANSFORMER

## CHARACTERISTICS

- For voltage levels up to 550 kV
- Eco Fluid liquid insulation
- Fully type-tested according to international standards

## GENERAL

- Identical external dimensions to equivalent products using mineral conventional Fluid as insulation
- Improved safety and environmental performance
- Water protection areas and underground substations

## SUSTAINABILITY

REGENERA™ is our holistic approach to protecting ecosystems, fostering environmental harmony and promoting a circular economy.

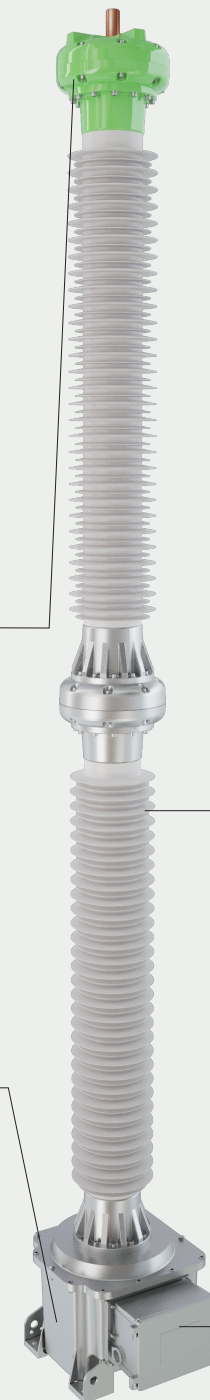


Primary terminal

External Insulation

Outer Part

Secondary box



# MAIN FEATURES

Eco Fluid CVTs: the perfect combination of sustainability, safety, and reliability



## Environmental

The use of Eco Fluid Fluid as an insulator reduces the risk of environmental damage. The liquid is biodegradable in accordance with OECD 301, which improves the ecological balance throughout the entire product life cycle.



## Proven Design

Trench's Eco Fluid CVTs are based on a globally established design with many years of proven performance.



## Seismic

Excellent seismic performance as a result of the optimized design, which complies with IEC, IEEE and specific standards.



## High Voltage Insulation

High-quality paper and Eco Fluid insulating liquid are used for high-voltage insulation.



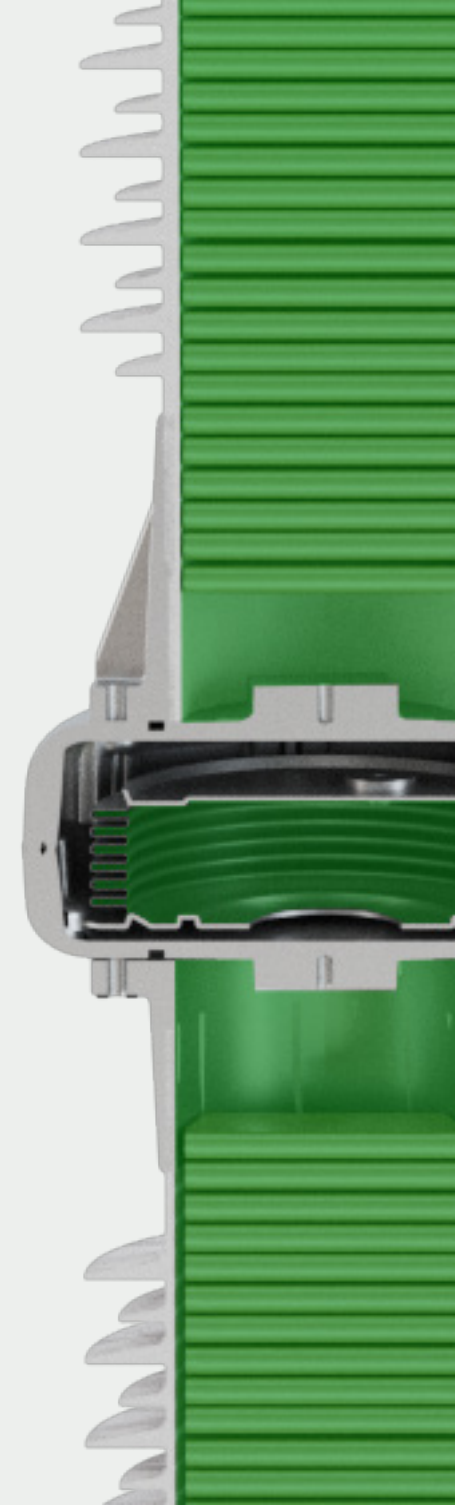
## Hermetically Sealed

In all operating conditions, a stainless steel base bellow allows the liquid volume to change and the internal pressure to remain the same as the ambient pressure.



## Modular Design

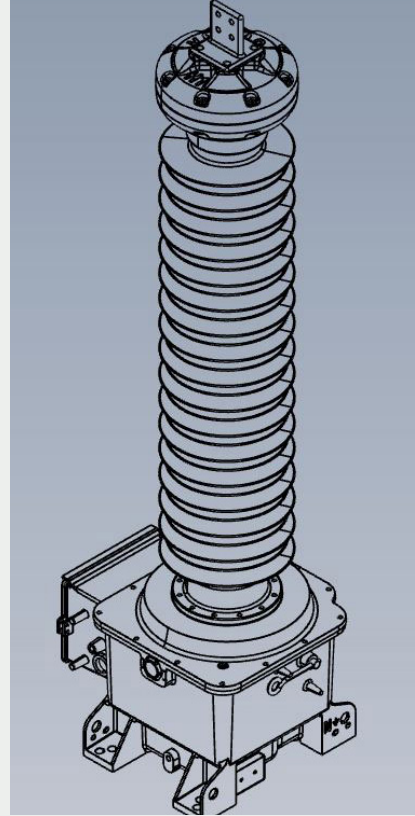
Modular design eliminates the need for a wide range of components.



## PRODUCT APPLICATIONS

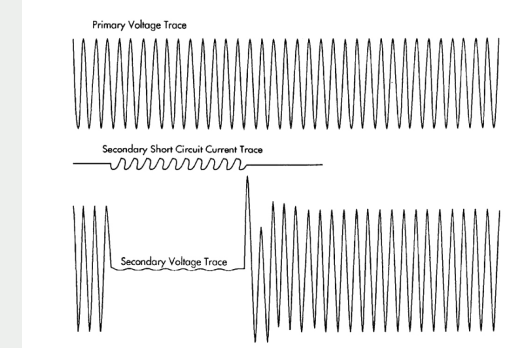
# INSIDE THE PRODUCT

The eco-friendliness and reliability of Eco Fluid CVTs is based on a well proven and advanced design. They function under a wide range of environmental conditions and are built according to the customer's requirements.



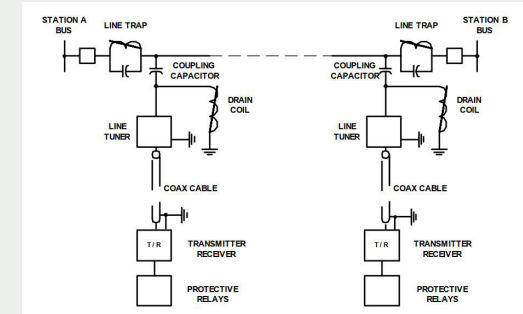
## CAPACITANCE

The higher inherent capacitance values result in improved PLC coupling, significantly better transient behavior and improved stability.



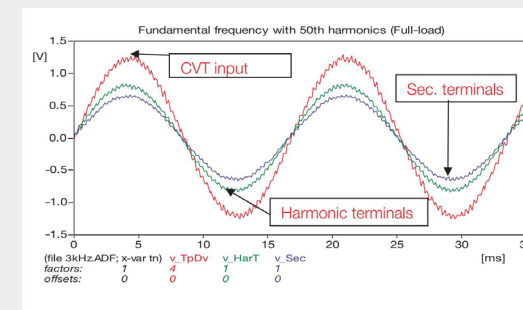
## FERRORESONANCE

High fidelity of the transient response and fast damping of the ferroresonance oscillations.



## PCL

Eco Fluid CVTs can be used to couple high frequency PLC signals to the power line.



## POWER QUALITY

Eco Fluid CVT's are also used for power quality monitoring. A dedicated harmonic monitor provides a direct measurement of the harmful harmonic voltages.

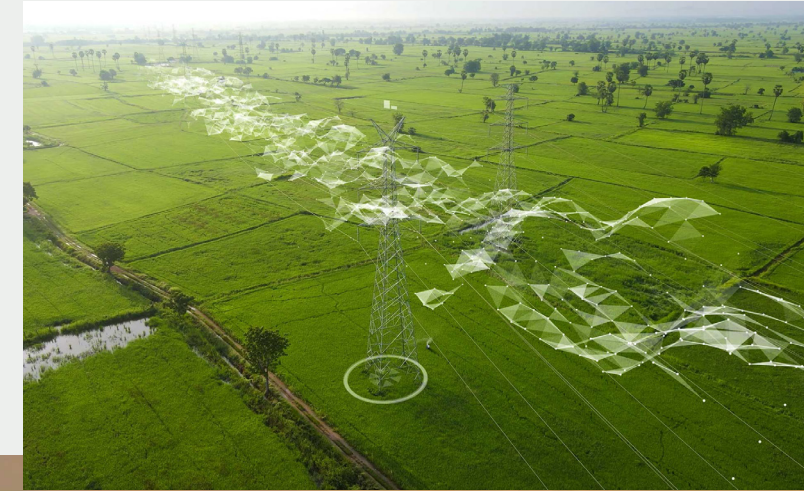
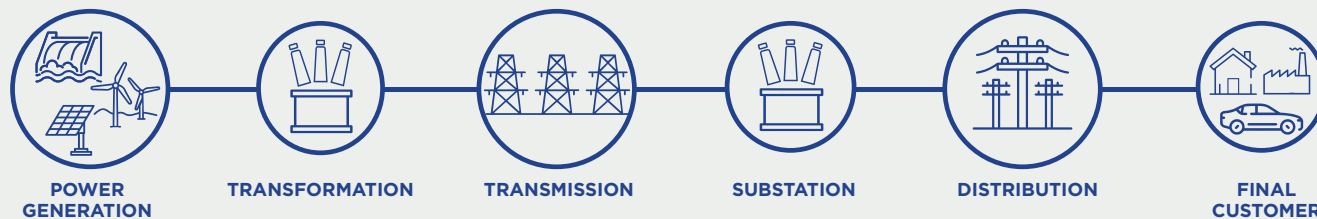


# THE **FUTURE** OF ENERGY IS **NOW** AND IT'S **EXTRAORDINARY**

## THE CRUCIAL ROLE OF POWER TRANSMISSION

**Our vision** of a sustainable future starts with an eco-friendly portfolio of high voltage products and systems, brought to you by our dedicated team of global innomakers.

**Our mission** is to support our customers, from power generation through transmission and distribution to the electricity consumers, in their transition to clean energy and a greener world.





**Get in touch:**

Contact our experts via email  
[sales@trench-group.com](mailto:sales@trench-group.com)



**Trench Group**  
[www.trench-group.com](http://www.trench-group.com)

©Trench Group 2024. All right reserved.  
Specifications are subject to change without notice

VISIT OUR WEBSITE

SCAN ME OR  
[CLICK HERE](#)

