

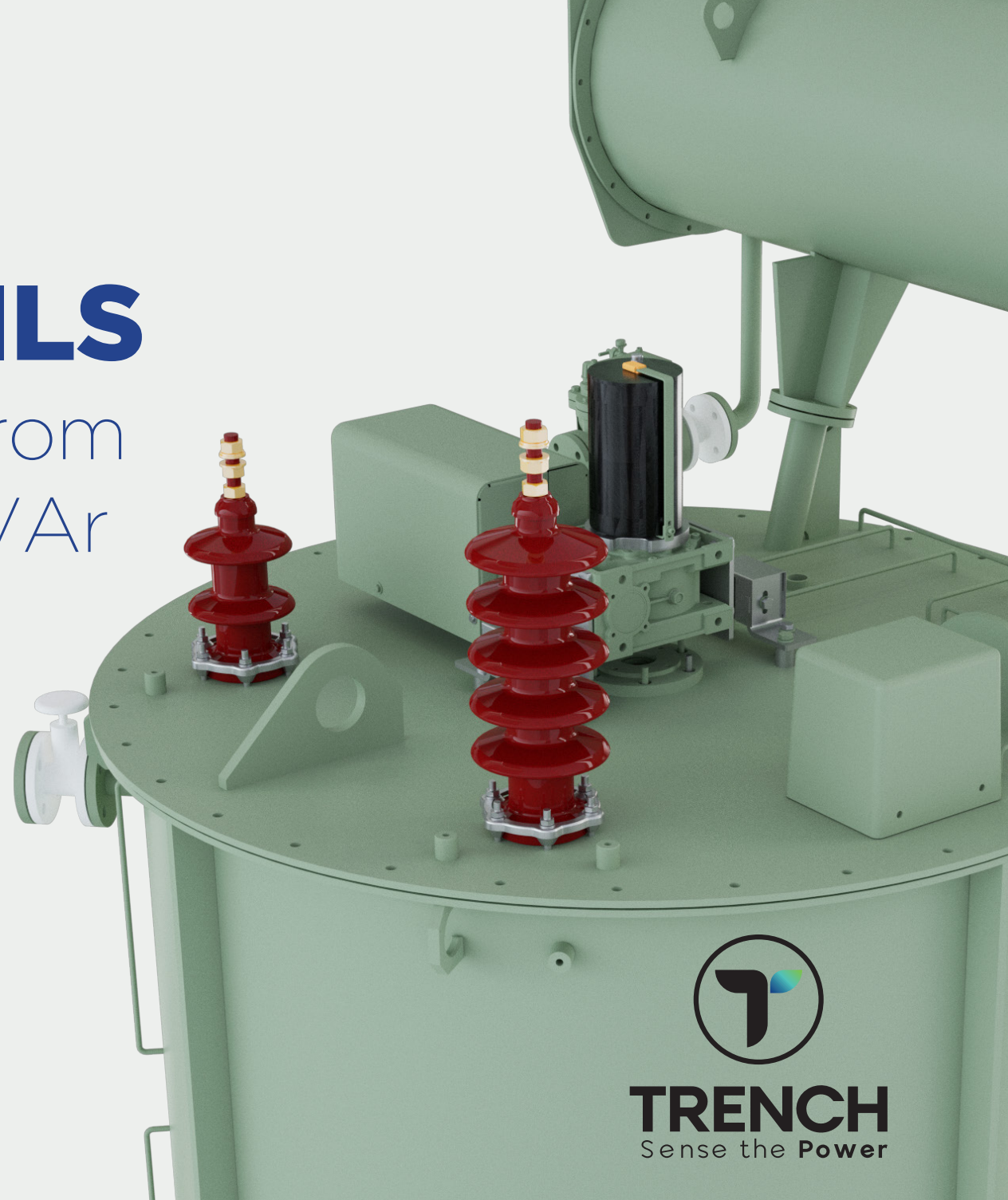
ECO FLUID ARC SUPPRESSION COILS

Available for voltage level from 6kV to 36kV, 100kVAr-15MVAR

Arc Suppression Coils (ASC) utilizing **eco-friendly insulation fluids** are used to compensate the capacitive earth fault currents, merging proven reliability with environmental benefits.



← SCAN ME OR
CLICK HERE



ECO FLUID ARC SUPPRESSION COILS

CHARACTERISTICS

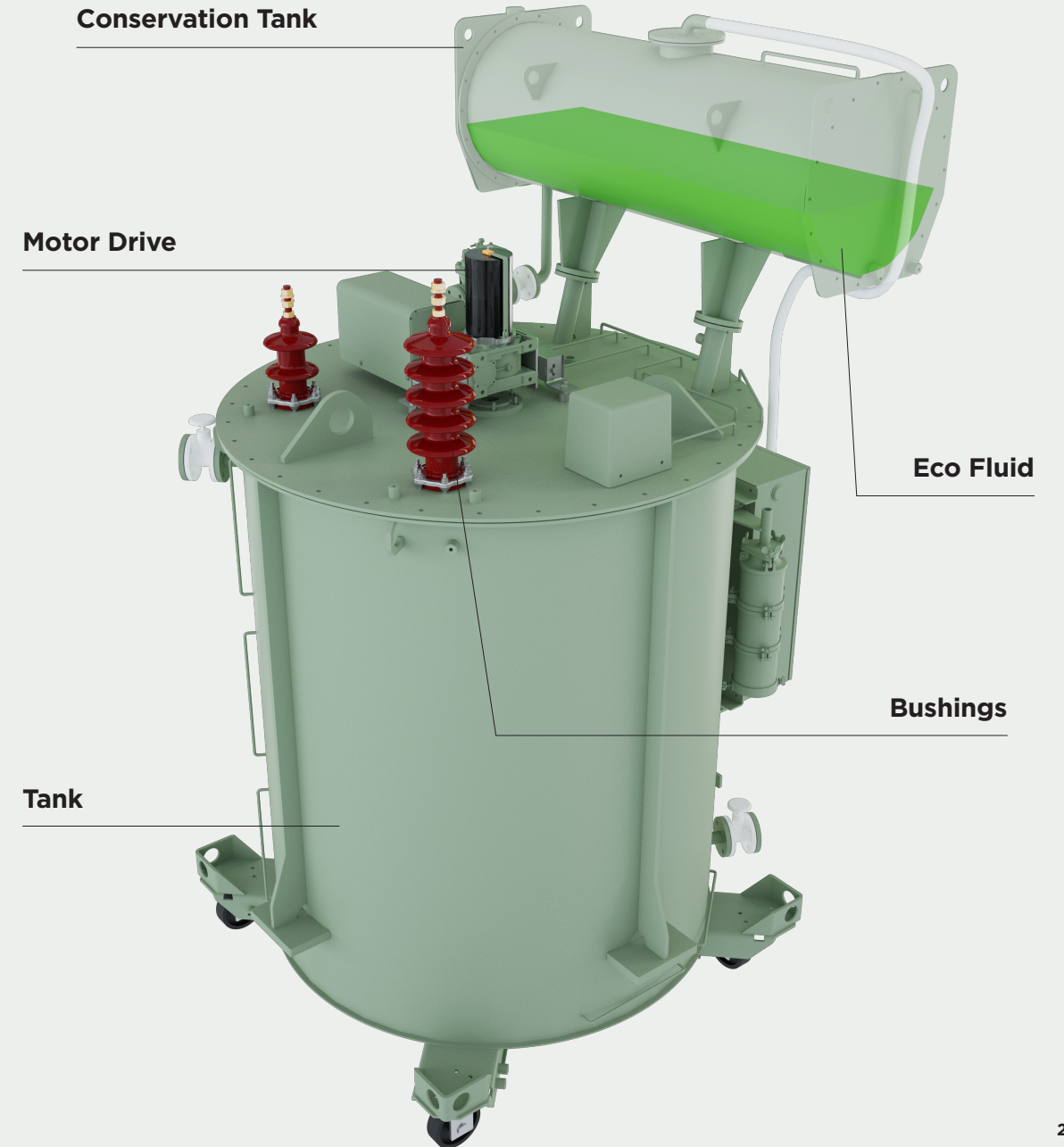
- Fully meeting IEC 60076-6
- Available in continuous and Short time duty version
- Continuously variable [in on-load condition] by means of variation of the air gap

APPLICATION AREAS

- Networks for power distribution
- Compensated (resonant earthed) electrical systems
- Connected between the neutral of the system and the earth

SUSTAINABILITY

REGENERA™ is our holistic approach to protecting ecosystems, fostering environmental harmony and promoting a circular economy.



MAIN FEATURES

A green essence flowing into our innovative technology



Reliable Power Supply

Ester Arc Suppression Coils provide continuous power supply in the event of an earth fault by means of continuous current regulation, for accurate tuning and minimizing residual current.



Sustainable Product

Ester Arc Suppression Coils are environmentally friendly with degradable insulating fluid, resulting in a much smaller carbon footprint with the same safety and reliability



Improved Operational Safety

Ester fluid comes with higher flash point, reducing the risk of fire and increases the protection of equipment and safety of human.



Compact Construction

Optimized design by leveraging experience and standardizing products for each market.



Control

Manual control or automatic adaptation to the current network status using a Trench Austria earth fault compensating controller.



Modular Design

Offers flexibility in component selection to meet customer requirements or specific product design needs. Stepless adjustable design with a range of 10-100% of rated current by fine adjustment of the plunger core using a motor drive unit.



Special Designs

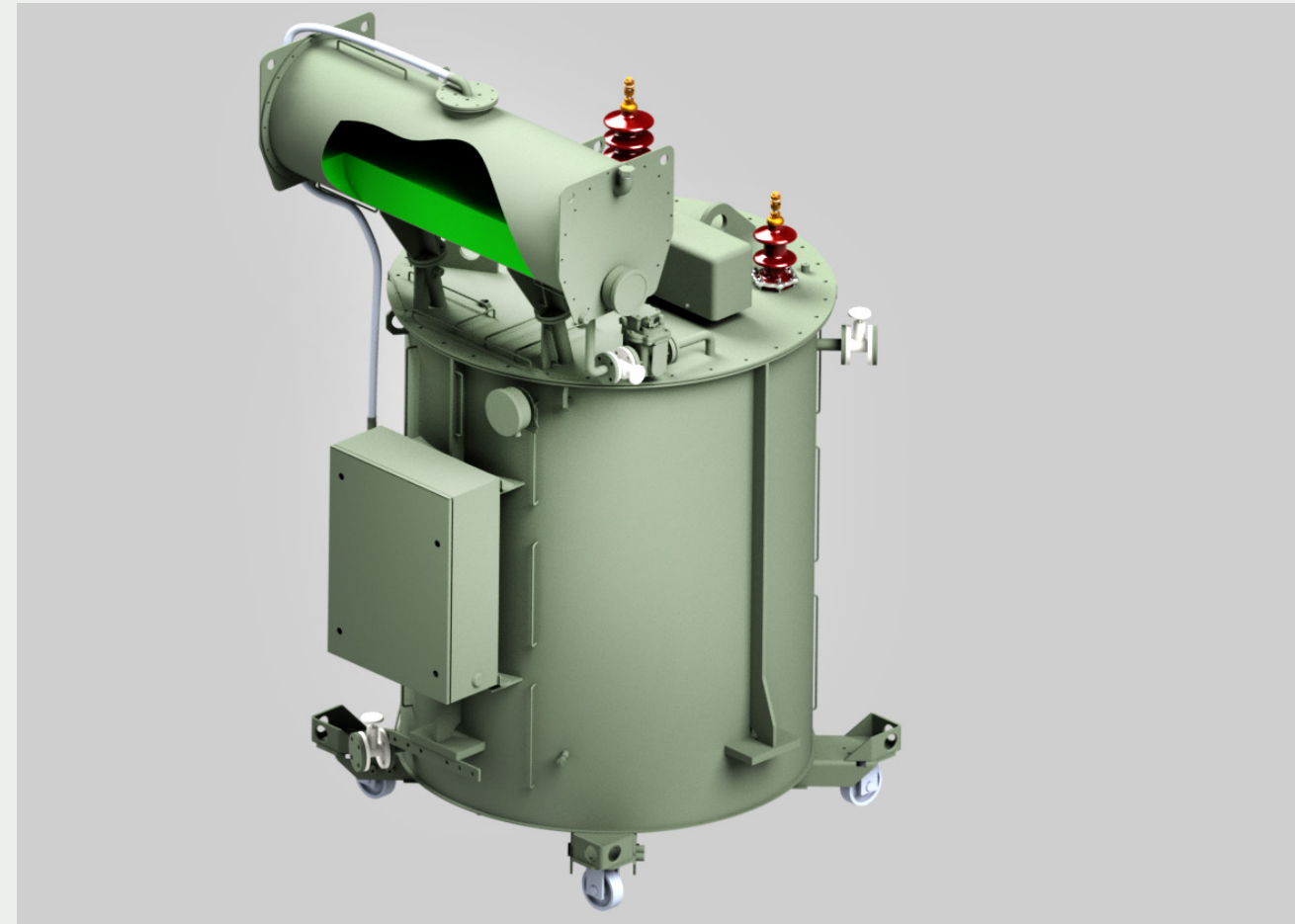
A Trench Ester Arc Suppression Coil with a built-in earthing transformer, the "Neutral Earthing Aggregate".

APPLICATIONS

SUSTAINABLE REFERENCES

For a greener world,
without functional compromises

Trench is taking responsibility by producing environmentally friendly Eco Fluid ASCs that mitigate the effects of single-phase earth faults. Eco Fluid ASC is a step towards achieving carbon neutrality.



ECO FLUID ARC SUPPRESSION COILS

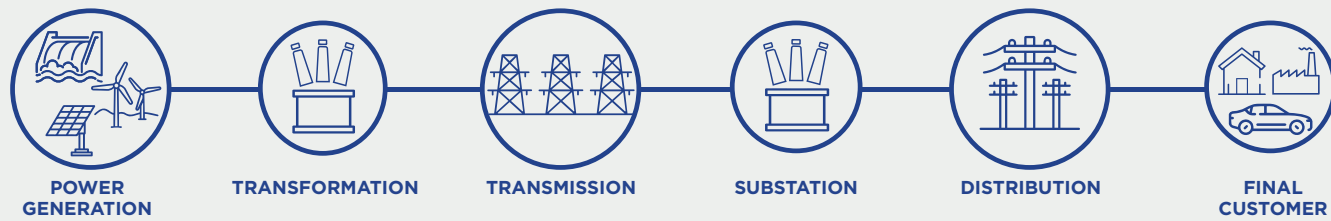
ASC with environmentally friendly insulating fluid

THE **FUTURE** OF ENERGY IS **NOW** AND IT'S **EXTRAORDINARY**

THE CRUCIAL ROLE OF POWER TRANSMISSION

Our vision of a sustainable future starts with an eco-friendly portfolio of high voltage products and systems, brought to you by our dedicated team of global innomakers.

Our mission is to support our customers, from power generation through transmission and distribution to the electricity consumers, in their transition to clean energy and a greener world.





Get in touch:

Contact our experts via email
sales@trench-group.com



Trench Group
www.trench-group.com

©Trench Group 2024. All right reserved.
Specifications are subject to change without notice

VISIT OUR WEBSITE

SCAN ME OR
[CLICK HERE](#)

